

REV.  
E

AS1792

RATIONALE

AS1792E HAS BEEN REAFFIRMED TO COMPLY WITH THE SAE FIVE-YEAR REVIEW POLICY.

SAE Technical Standards Board Rules provide that: "This report is published by SAE to advance the state of technical and engineering sciences. The use of this report is entirely voluntary, and its applicability and suitability for any particular use, including any patent infringement arising therefrom, is the sole responsibility of the user." SAE reviews each technical report at least every five years at which time it may be revised, reaffirmed, stabilized, or cancelled. SAE invites your written comments and suggestions.

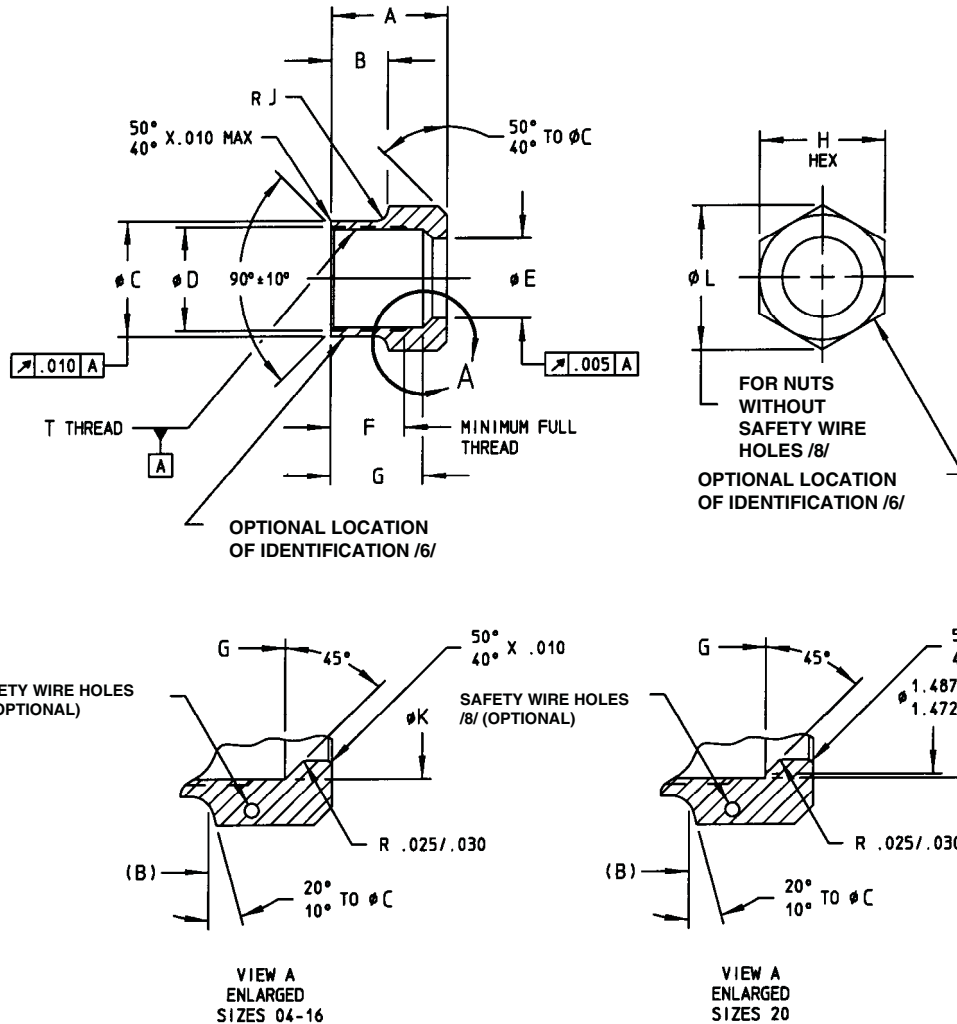
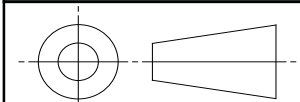


FIGURE 1 - NUT, LIGHTWEIGHT, FLARELESS

SAE values your input. To provide feedback on this Technical Report, please visit <http://www.sae.org/technical/standards/AS1792E>

THIRD ANGLE PROJECTION



CUSTODIAN: G-3/G-3B

PROCUREMENT SPECIFICATION: AS18280 /4/



AEROSPACE STANDARD

NUT, FITTING, LIGHTWEIGHT, FLARELESS

AS1792  
SHEET 1 OF 3

REV.  
E